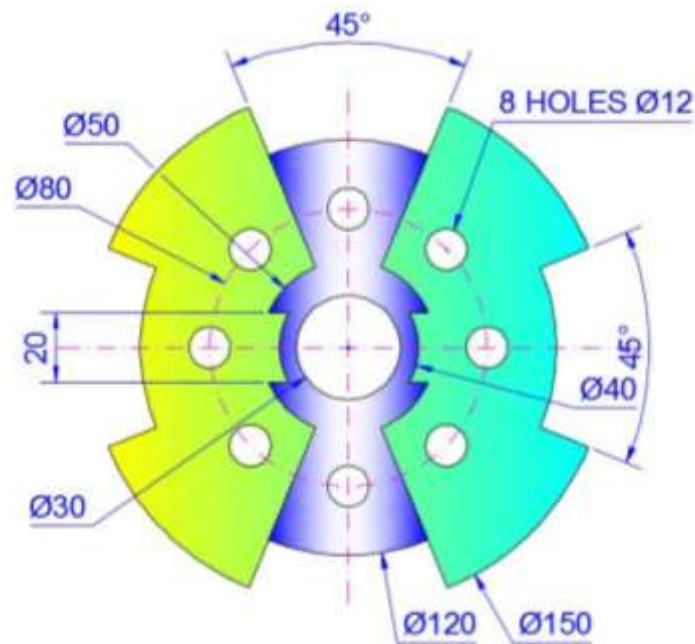


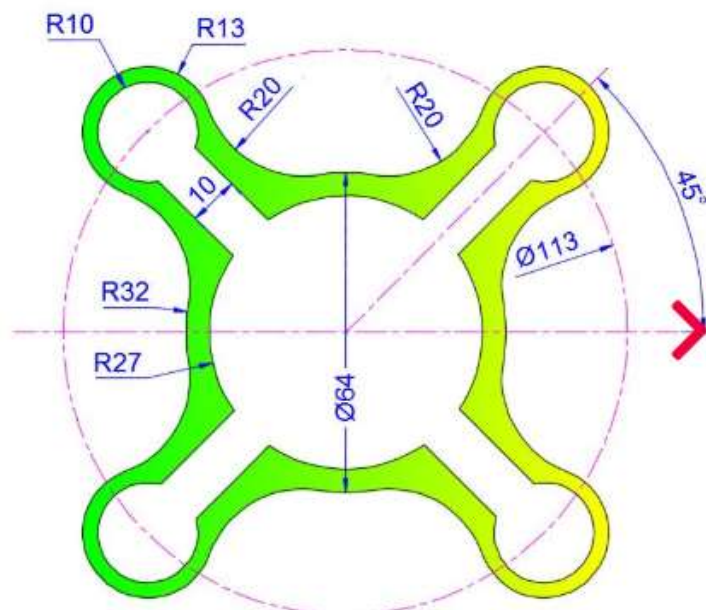


Using AutoCAD Applications Draw five only.

1.

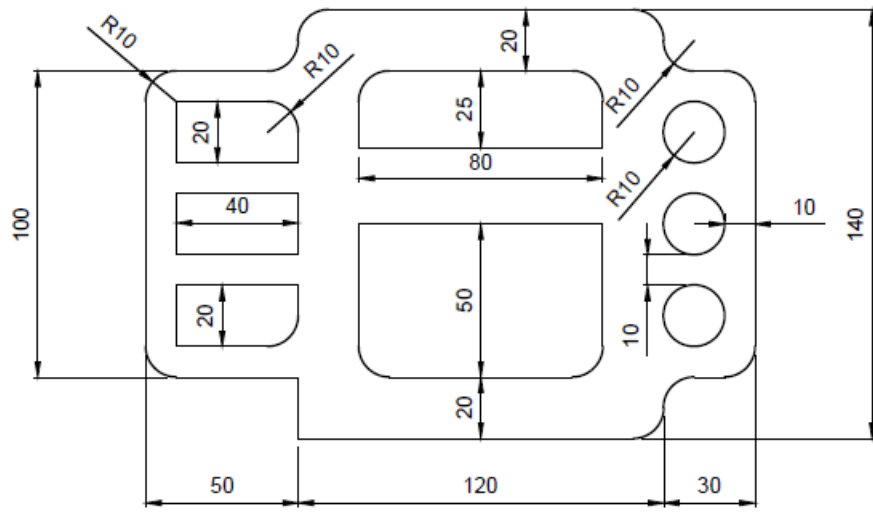


2.

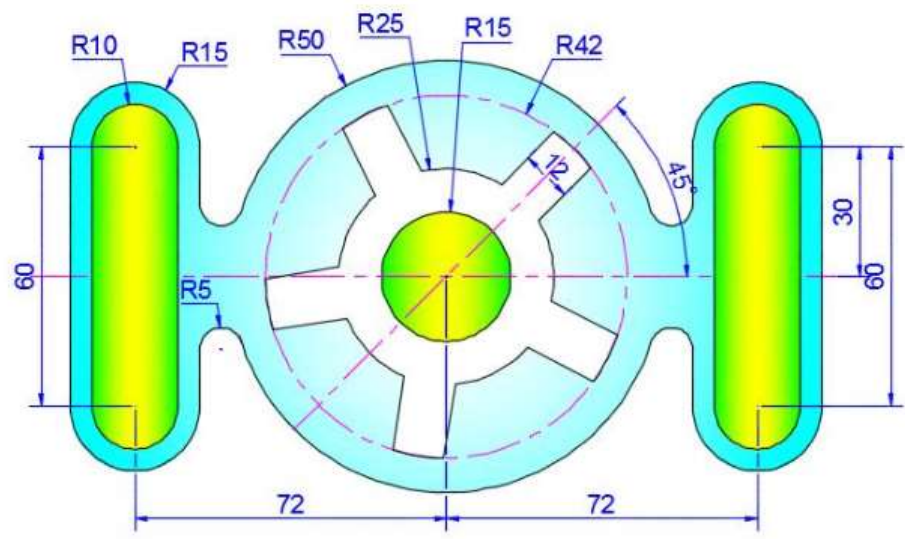


Dimension and Hatch will be considered in evaluation.

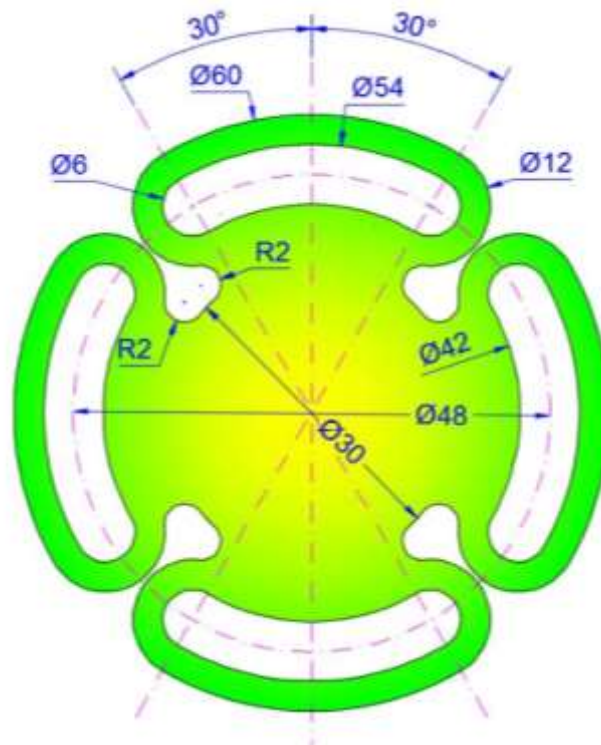
3.



4.



5.



6.

